



## To receive 9.0-10.7 GHz



The PLL Down Converter covers the frequency range 9.0-10.7 GHz. Comes standard with internal LO stability  $\pm 250$  kHz ( $\pm 25$  ppm) and low phase noise.

All our LNBS are individually hand tuned to get the very best performance available for each unit. Quality and long term reliability is also essential. Therefore are all LNBS tested according to a very extensive test program, which includes heating, cooling, water-proof testing and rigorous electrical testing.

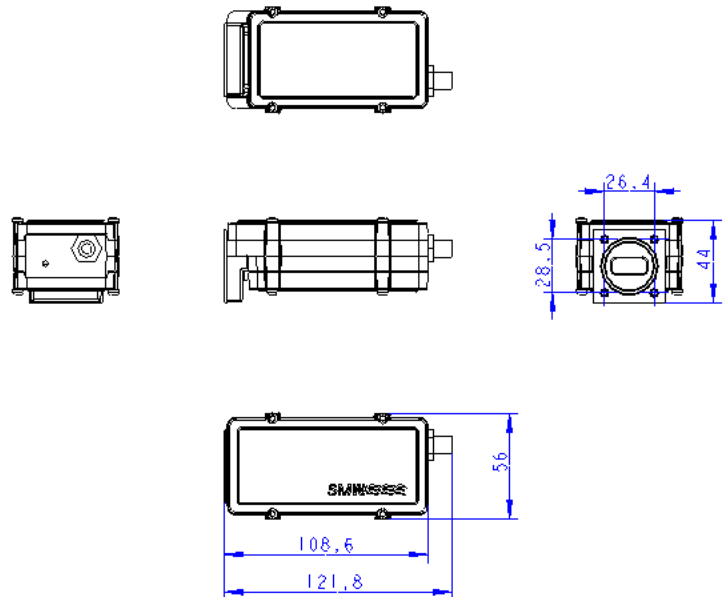
Swedish Microwave was founded 1986 and is today a leading manufacturer of professional LNBS (Low Noise Block converters). The company is located in Motala Sweden, and to date the products are installed in more than 100 countries.

All work is in-house allowing custom-design products, short delivery times, high flexibility, quick service and support.

## SPECIFICATION SMW PLL Down Converter

Standard frequency ranges	9.9-10.4, 9.95-10.45, 10.0-10.5, 10.05-10.55, 10.1-10.6, 10.15-10.65, 10.2-10.7 GHz (option: 9.0-10.7 GHz, max bandwidth 500 MHz)
Standard LO frequencies	11.35, 11.40, 11.45, 11.50, 11.55, 11.60, 11.65 GHz (option 10.45-12.35 GHz)
Output frequency	1450-950 MHz
LO stability (over temp.)*	±250 kHz (±25 ppm)
Gain	45 dB typ. (or by request)
Gain variation within 30 MHz max.	±0.4 dB
Gain variation max.	±4 dB
Noise Figure, typical	2 dB
LO Phase noise typical	-75 dBc @ 1 kHz -85 dBc @ 10 kHz -100 dBc @ 100 kHz -120 dBc @ >1 MHz
LO radiation	-60 dBm
Image rejection	40 dB min
P1dB typ.	+5 dBm
IP 3 typ.	+15 dBm
Input	WR-75 waveguide (R120)
Output (waterproof)	F-connector 75 ohm, N-connector 50 ohm or SMA-connector 50 ohm
Input VSWR	2.3:1 max
Output VSWR	2.1:1 max
DC power	12 - 24 V 270 mA typ.
Operating temperature	-40 to +80°C
Storage temperature	-40 to +80°C
Dimensions	122 (127 N) x 56 x 44 mm
Weight	329 g (F- & SMA-connector) 345 g (N-connector)
<b>Options</b>	Sep. DC input High stability LO or ext. 10 MHz ref.
<b>Enclosed accessories</b>	O-ring Screw M4 x 8 4 pcs

\* -30° to +60°C



Specifications are subject to change without notice. General terms Orgalime S 2000. Products from Swedish Microwave AB are made for commercial use.

2011-08-24