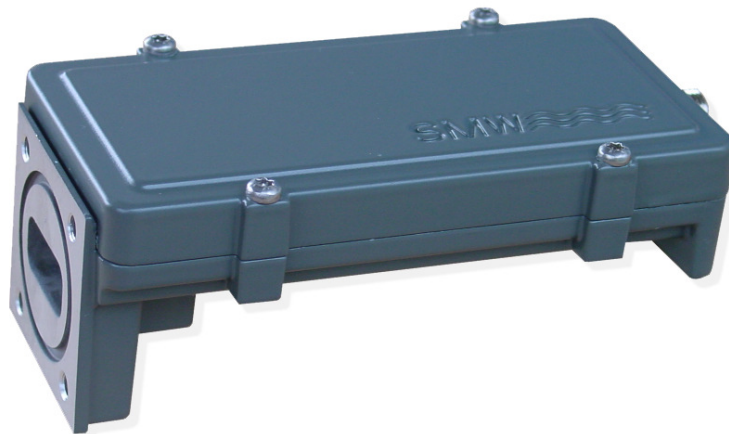


SMW LNB DRO 14 GHz



Comes standard with low noise figure, F- or N-connector and two-year warranty. Options include SMA-input connector (via transition), SMA-connector output, extended LO up to 13.15 GHz, high stability LO, customized gain or customized specification by request.

All our LNBs are individually hand tuned to get the very best performance available for each unit. Quality and long term reliability is also essential. Therefore are all LNBs tested according to a very extensive test program, which includes heating, cooling, water-proof testing and rigorous electrical testing.

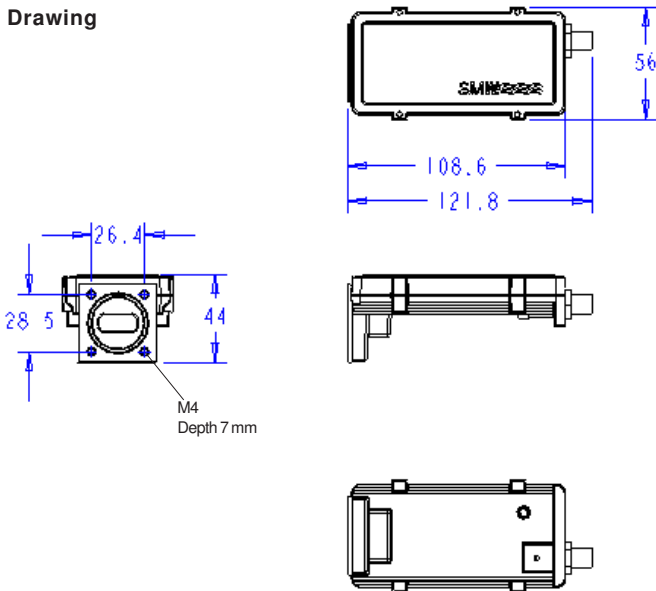
Swedish Microwave was founded 1986 and, within Europe, is the oldest manufacturer of LNBs. In the standard product range we have DRO-LNBs, PLL-LNBs, LNAs, Block Downconverters (BDC), Up- & Down Converters, Quattro LNBs, Twin LNBs, Ortho mode transducers (OMT), Line Amplifiers and Feed horns.

Swedish Microwave is today one of the leading manufacturers of microwave components needed for satellite receiving equipment and other industrial products.

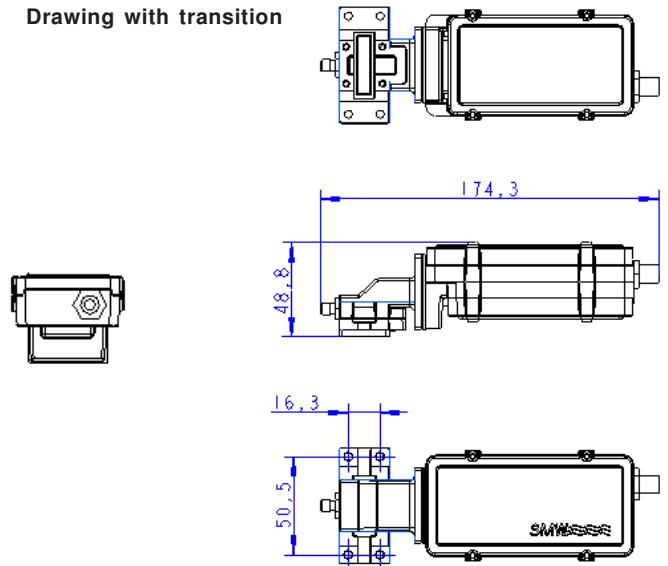
Specification SMW LNB 14 GHz

SMW	LNB 14 GHz
Frequency range	13.75 - 14.5 GHz
LO frequency	12.5 GHz (see option)
Output frequency	1250 - 2000 MHz
Gain typ	45 or 0 dB
Gain variation	+/- 0.3 dB within 30 MHz
Noise Figure, typical	1.2 dB (2.0 dB with transition)
LO stability (over temp.)	+/- 3 MHz
LO Phase noise typical	-75 dBc @ 1 kHz -85 dBc @ 5 kHz -95 dBc @ 10 kHz -110 dBc @ 100 kHz -120 dBc @ >1 MHz
LO radiation	-60 dBm
Image rejection	50 dB min
1 dB gain compression point	+5 dBm
Input	WR-75 waveguide or SMA (via transition)
Output	F-connector 75 ohm or N-connector 50 ohm. Water proof
Output VSWR	2.0:1
DC power	12 - 24 V 145 mA typ
Operating temperature	-30 to +60°C
Dimensions	122 x 56 x 44 mm
Weight	220 g (F), 236 g (N)
Options	Customized gain extended LO up to 13.15 GHz High stability LO +/- 1 MHz over temp. High stability LO +/- 1.5 MHz over temp. High stability LO +/- 2 MHz over temp. Low output VSWR, 1.55:1 SMA output connector. Waterproof.
Enclosed accessories	O-ring Screw M4 x 8 4 pcs Small M4 key

Drawing



Drawing with transition



SMW
SWEDISH MICROWAVE AB

Box 230
591 23 MOTALA, SWEDEN
Tel. +46 141 21 61 35
Fax. +46 141 21 52 24
e-mail: info@smw.se
Website: <http://www.smw.se>

Part no. 116120 (WR75, F-connector output)
116125 (WR75, N-connector output)
116130 (SMA input via transition, F-connector output)
116135 (SMA input via transition, N-connector output)

2009-10-23