

## ***SMW ILA - Line Amplifier***



All specified models are equalized to compensate the cable attenuation and other losses. Comes standard either with F-, N- or SMA-connectors. Options include Separate DC power input via connector or cables, 10 MHz bypass, High current 5 A bypass and Extended frequency range.

All units are individually hand tuned to get the very best performance available for each. Quality and long term reliability are also essential. Every single unit is tested according to a very extensive test program, which includes heating, cooling, waterproof testing and rigorous electrical testing.

Swedish Microwave (SMW) was founded 1986 and is today a leading manufacturer of professional LNBS (Low Noise Blockdownconverters) for the Ku-band market. The company is located in Motala Sweden, and to date the products are installed in more than 80 countries.

All In-house allows custom-design products, short delivery time, high flexibility, quick service and support.

# Specification SMW ILA

<b>SMW</b>	<b>ILA 17-21 dB</b>	<b>ILA 10-15 dB</b>	<b>ILA 7-17 dB</b>	<b>ILA 5-10 dB</b>
Gain @ 950 MHz typ.	17 dB	10 dB	7 dB	5 dB
Gain @ 2150 MHz typ.	21 dB	15 dB	17 dB	10 dB
Gain variation within 30 MHz	± 0.2 dB	± 0.2 dB	± 0.3 dB	± 0.2 dB
1 dB gain compression point	+3 dBm	+3 dBm	+3 dBm	+3 dBm
IP3	+13 dBm	+13 dBm	+13 dBm	+13 dBm
Max. input level for typ. installation	-40 dBm	-40 dBm	-40 dBm	-40 dBm
Noise figure	8.0 dB typ*	15.0 dB typ*	18.0 dB typ*	15.0 dB typ*
Current consumption	35 mA max	35 mA max	35 mA max	35 mA max

<b>SMW</b>	<b>ILA 0-8 dB</b>	<b>ILA 14-18 dB</b>	<b>ILA 16-18 dB</b>	<b>ILA 18-24 dB High IP3 +26 dBm</b>
Gain @ 950 MHz typ.	0 dB	14 dB	16 dB	18 dB
Gain @ 2150 MHz typ.	8 dB	18 dB	18 dB	24 dB
Gain variation within 30 MHz	± 0.3 dB	± 0.2 dB	± 0.2 dB	± 0.2 dB
1 dB gain compression point	+3 dBm	+3 dBm	+3 dBm	+16 dBm
IP3	+13 dBm	+13 dBm	+13 dBm	+26 dBm
Max. input level for typ. installation	-40 dBm	-40 dBm	-40 dBm	-25 dBm
Noise figure	20.0 dB typ*	11.0 dB typ*	9.0 dB typ*	16.0 dB typ*
Current consumption	35 mA max	35 mA max	35 mA max	70 mA max

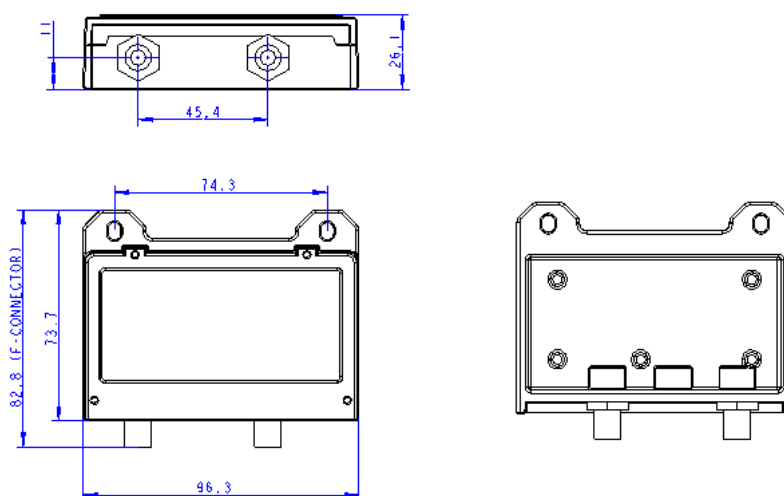
## Typical specification

Frequency range	950 - 2150 MHz
VSWR input typ	1.9:1
VSWR output typ	1.9:1
Connectors(water proof)	F-type 75 ohm, N-type 50 ohm or SMA-type 50 ohm
DC power	12 - 24 Volt (DC by pass to the LNB)
Material	Diecast aluminium
Finish	Powder coat
Temperature range	-30 to +60° C
Weight	310 g (F & SMA), 352 g (N)
Size	96.3 x 26.1 x 82.8 mm (F)

<b>Option</b>	
	Sep. DC power input (via F-, N- or SMA-connector, or via cable) with integrated DC-block(s)
	10 MHz bypass (loss 1 dB)
	High currency 5A max. bypass (this option is not possible together with 10 MHz bypass)
	Customized specification

\* Doesn't affect the Total System Noise Figure. You can see this in our free software SMW Link 3.0 <http://www.smw.se/FreeSoftware.htm>

## Drawing



**SMW**

SWEDISH MICROWAVE AB

Box 230

591 23 MOTALA, SWEDEN

Tel. +46 141 21 61 35

Fax. +46 141 21 52 24

e-mail: [info@smw.se](mailto:info@smw.se)

Website: <http://www.smw.se>